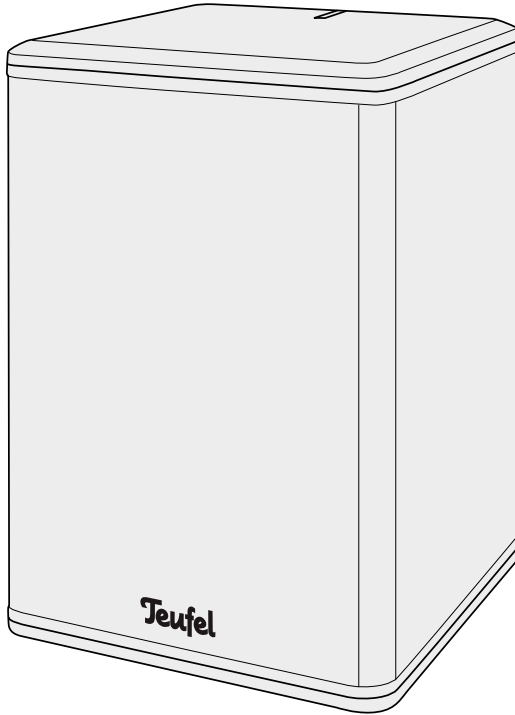


# Technical Description And User Manual



## Effekt 2 Wireless Speaker

**Teufel**

# Contents

---

General Notes And Information.....	2	Troubleshooting.....	10
Overview .....	5	Technical Data .....	11
Setup.....	6	Declaration Of Conformity .....	11
Operation.....	7		

## General Notes And Information

---

### Notice

The information in this document may change without prior notice and in no way constitutes any liability on the part of Lautsprecher Teufel GmbH.

No part of this user manual may be reproduced in any form or be broadcasted in any way electronically, mechanically, by photocopy or recording without the written permission of Lautsprecher Teufel GmbH.

© Lautsprecher Teufel GmbH  
Version 1.0, June 2023

### Original packaging

If you wish to exercise your right of return, we ask that you be absolutely sure to hold on to the packaging. We can only accept product returns with the ORIGINAL PACKAGING.

Empty boxes are not available!

### Complaints

In case of a complaint we will need the following information to process your enquiry:

#### 1. Invoice number

Can be found on the sales slip (enclosed with the product) or on the order confirmation received as a PDF document, e.g. 4322543

#### 2. Serial number or batch number

Located on the back side of the device, e.g. serial no.:  
KB20240129A-123.

Thank you for your support!

## Contact

Please contact our customer service department with any questions, suggestions, or complaints:

**Lautsprecher Teufel GmbH**  
**BIKINI Berlin**  
**Budapester Str. 44**  
**10787 Berlin (Germany)**

Telephone:  
00800 200 300 40 (toll-free)

Fax:  
+49 (0)30 / 300 930 930

Online support:  
[www.teufelaudio.com/service](http://www.teufelaudio.com/service)

Contact form:  
[www.teufelaudio.com/contact](http://www.teufelaudio.com/contact)



Before operating the product for the first time, please read the safety notes and user manual carefully. Only in this way, you can ensure that all functions are used in a safe and reliable manner. Store the user manual in a safe place and also be sure to pass it on to any subsequent owner.

## NOTICE

***Check that all items have been delivered and that nothing is damaged. If you find any damage, do not operate the device; instead contact our customer service department.***

## Proper use

The wireless speakers are designed for the playback of audio signals from an external player via wireless connection.

Only use the wireless speakers as described in this user manual. Any other use will be deemed as not in accordance with the instructions and may lead to damage to property or even persons.

The manufacturer accepts no liability for damage caused by improper use.

The wireless speakers are intended for domestic use.

## Explanation of terms

You can find the following signal terms in this user manual:

### **CAUTION**

*This signal term indicates a low risk, which, if not avoided, may result in minor or moderate injury.*



### **NOTICE**

*This signal term warns you of potential damage.*

**The isolation pads can produce discolouration on sensitive surfaces.**

- On parquet, varnished wood and similar surfaces, you should stick felt gliders to the rubber feet of the device or put a blanket under it. This will prevent discolouration of the floor over the long term.

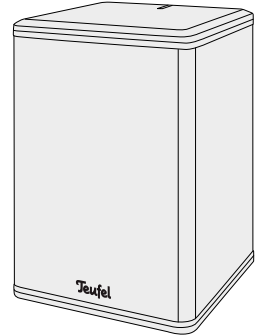
## Explanation of symbols

	Protection class II Dual insulation
	Risk of electrical shock – do not open the housing. Disconnect the mains cord before changing a fuse.

# Overview





## Package contents

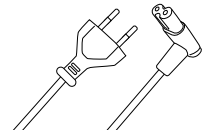
- (1) 2× “Effekt” wireless speaker
- (2) 2× Angled power cord (2.5 m)



(1)

## Operational controls

- (3) Power indicator:
  - Pairing: LED Blinking  

  - Searching for known devices: LED fades in and out.  

  - Connected: LED white and dims down  

  - Standby/Off: LED off  

- (4) Keyhole opening for wall mounting.
- (5) M6 threaded insert for wall mounting
- (6) POSITION: Elect if the speaker should play left or right channel.
- (7) Power cord jack socket
- (8) PAIRING: Establish a wireless connection to the external player (see page 8).

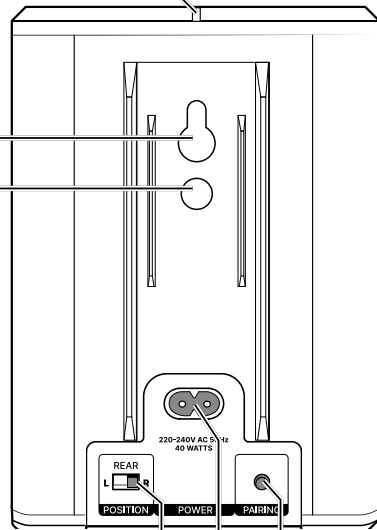


(2)

(3)

(4)

(5)



(6)

(7)

(8)

# Setup

## NOTICE

***If the device is subjected to warm temperatures after being cold (e.g. after transport), condensation may occur inside of it.***

- *In this case, wait approx. 2 hours before you connect and activate it.*

## ⚠ CAUTION

***The device is disconnected from the mains by pulling the mains plug out of the socket.***

- *Therefore make sure that the socket is always easily accessible.*

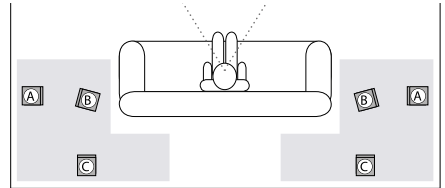
## Location tips

- Make sure that the environment is clean and free from dust.
- Select a location away from heat sources and direct sunlight.
- Do not place any heavy objects on the cables or the device.
- The wireless connection has a maximum range of 15 m, but can be obstructed by objects, walls and other transmitters (e.g. Wi-Fi, DECT).

## Rear speakers

As rear speakers, the wireless speakers are set up or hung to the side of or behind the listener at a height of 1.20 m to 2.10 m (see the grey areas in the graphic).

The ideal position is offset by approx. 20 degrees from the parallel position to the listener on the left and right side (A). The distance between the rear speakers and the listening position should not be less than 1 m. However, if you (need to) sit closer, please ensure that the front side of the speaker is not directly facing you. Rather, the speaker must be angled towards the wall (B). Alternatively, you can create a greater distance by placing the speakers higher than 1.20 m or further away (C).



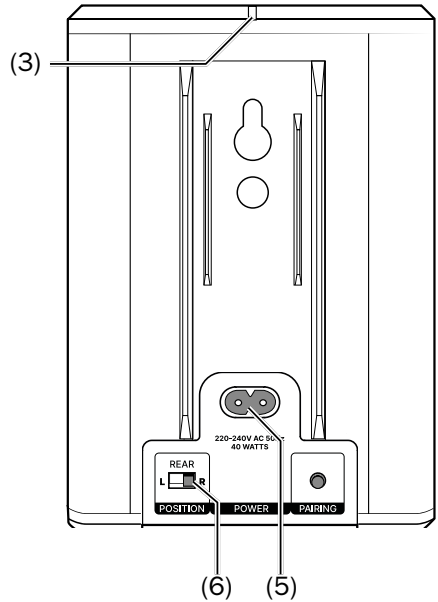
# Operation

## Setting the channel

- With the POSITION switch (6), you determine the stereo channel (right or left) to be played back by the respective wireless speaker.
- The speakers can only connect if one speaker is set to the right channel and the other to the left channel.

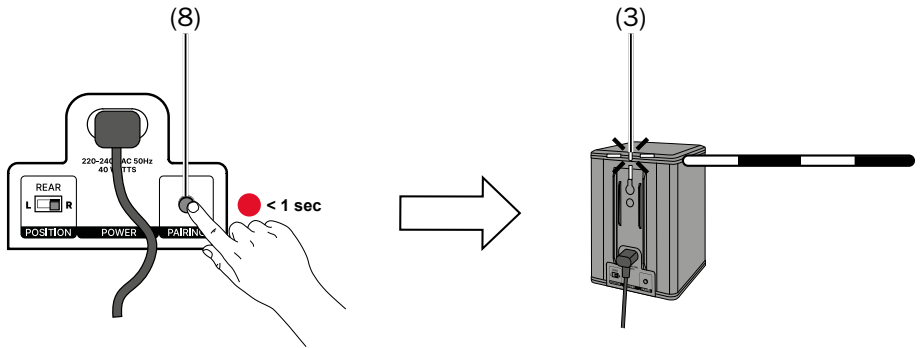
## Mains connection

- Connect the power cord with the power cord jack socket (7) and insert the plug of the power cord (5) in a mains socket (220–240 V~/50 Hz).
- The first time you turn the wireless speaker on, it will switch to pairing mode and the power indicator (3) will quickly blink in white.

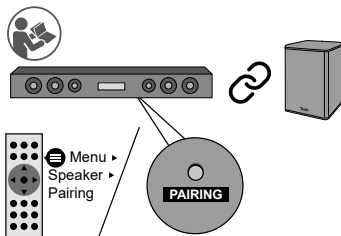


## First-time connection

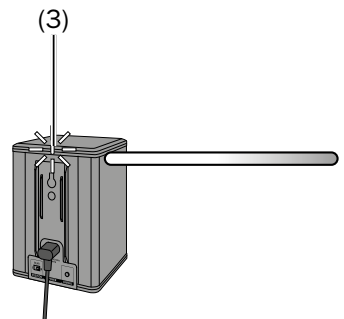
1. Hold the PAIRING button (8) down until the power indicator (3) blinks quickly in white.



2. Switch the transmitter unit (e.g. soundbar) to pairing mode. Please refer to the user manual for the transmitter unit for more information. This can be an option in the Speaker submenu (≡ ▶ Speaker) or a Pairing button on the transmitting device.






3. As soon as the Effect 2 has found a compatible transmitter, it will connect with it. The power indicator (3) illuminates continuously in white and dims down.






## Automatic connection

- If the wireless speakers were already connected to a compatible transmitter, they will immediately be connected to it.  
The power indicator (3) illuminates in white and slowly dims down.  

- If there is no transmitter nearby or if it is switched off, the Effect 2 will search for the transmitter.  
The power indicator (3) will fade in and out in white.  

- The connection will be established as soon as you switch on the transmitter.  
The power indicator (3) illuminates in white and slowly dims down.  


## Automatic activation/ deactivation

As soon as the wireless speakers receive a signal from a connected transmitter, they will switch back on from standby mode.

If the signal is deactivated, the wireless speakers will switch back to standby mode after a short time. In standby mode, the power indicator (3) will be off.  


# Troubleshooting

The following advice should help you to solve problems. If this does not work, our online support area will provide help:

<https://manual.teufelaudio.com>

Problem	Possible cause/solution
The Effekt's power indicator (3) does not illuminate.	Make sure that power is supplied. Check to make sure that the mains plug is securely seated.
	The LED turns off when the transmitter is switched off. To check whether the device is working, pull the plug out of the socket, wait 1 minute and then plug it back in. The power indicator starts fading in and out.
No sound	The volume has been set too low. Increase the volume on the transmitter.
	No 5.1 audio: If e.g. a pure stereo signal is played, the rear speakers will remain mute. Then select a surround sound simulation such as Dolby Prologic on the transmitter unit. A "test tone" is suitable for testing the connection providing your transmitter unit offers this function for adjusting the level.
The rear satellites do not emit sound.	MP3s, radio as well as many TV programmes only transmit stereo sound. Switch your receiver to a Pro-Logic mode or a DSP mode (5.1 Stereo). Select UPMIX method or get a 5.1 signal.
No connection	Transmitter is off – switch the transmitter on.
	Distance is >15m or objects are blocking the connection signal. Correct the allocation of the devices.
The connection is not automatically established.	Reconnect the devices (see page 8).
The transmission is disrupted.	Other wireless signal sources (cordless telephones, Wi-Fi stations or microwaves) affect the connection. Move the devices causing the disturbance.

## Technical Data

---

Operating voltage	220–240 V~/50 Hz
Power consumption max.	40 W
Dimensions (W × H × D)	113 × 162 × 115 mm
Weight	1.2 kg

The following radio frequency bands and radio transmitting powers are used in this product:

Frequency bands in MHz	Max. transmission power in dBm
2405 MHz - 2477 MHz	1 mW / 0 dBm

You can find further technical data about the product on our website.

## Declaration Of Conformity

---



Lautsprecher Teufel GmbH declares that this product complies with Directive 2014/53/EU. The full text of the EU Declaration of Conformity can be found at this web address:

[www.teufel.de/konformitaetserklaerungen](http://www.teufel.de/konformitaetserklaerungen)

[www.teufelaudio.com/declaration-of-conformity](http://www.teufelaudio.com/declaration-of-conformity)

# Teufel

Please contact our customer service department with any questions, suggestions, or complaints:

Lautsprecher Teufel GmbH  
Bikini Berlin  
Budapester Str. 44  
10787 Berlin (Germany)

[www.teufelaudio.com](http://www.teufelaudio.com)

[www.teufel.de](http://www.teufel.de)

[www.teufel.ch](http://www.teufel.ch)

[www.teufelaudio.at](http://www.teufelaudio.at)

[www.teufelaudio.nl](http://www.teufelaudio.nl)

[www.teufelaudio.be](http://www.teufelaudio.be)

[www.teufelaudio.fr](http://www.teufelaudio.fr)

[www.teufelaudio.pl](http://www.teufelaudio.pl)

[www.teufelaudio.it](http://www.teufelaudio.it)

[www.teufelaudio.es](http://www.teufelaudio.es)

Telefon:

Deutschland:

+49 (0)30 217 84 217

Österreich:

+43 12 05 22 3

Schweiz: +41 43 50 84 08 3

International:

0800 200 300 40 (toll- free)

Telefax:

+49 (0)30 / 300 930 930

Online-Support:

[www.teufelaudio.com/service](http://www.teufelaudio.com/service)

[www.teufel.de/service](http://www.teufel.de/service)

Kontaktformular:

[www.teufel.de/kontakt](http://www.teufel.de/kontakt)

Contact:

[www.teufelaudio.com/contact](http://www.teufelaudio.com/contact)

No responsibility is assumed for the correctness of this information.  
Technical changes, typographical errors and other errors reserved.